

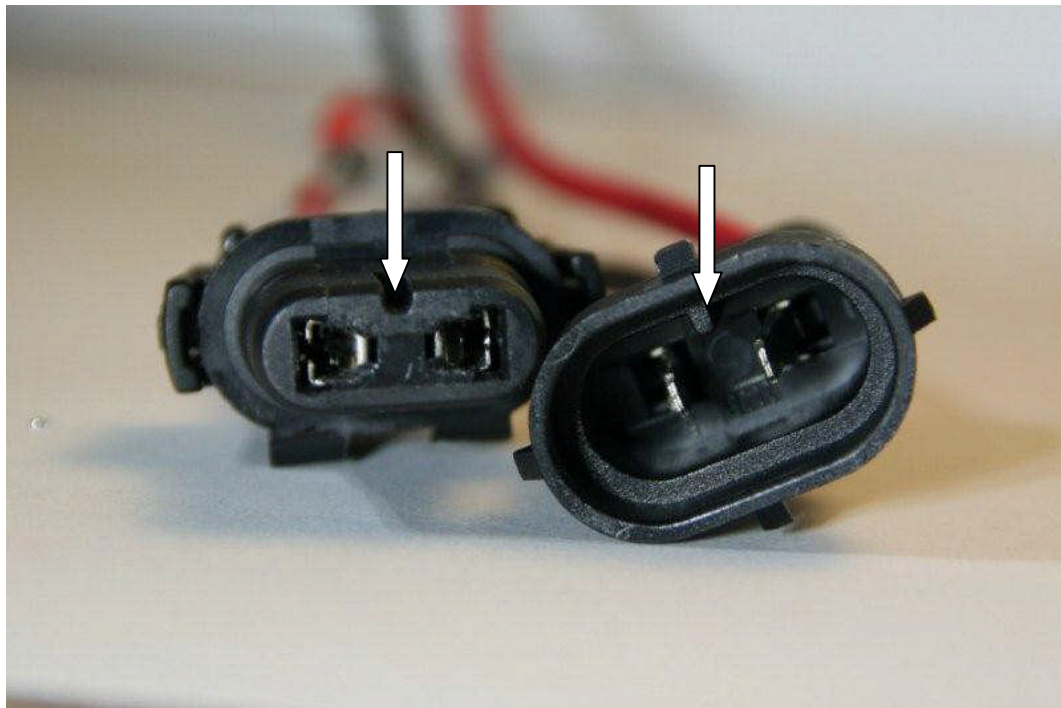
# LUX H8 V3

## BMW X1 (E84) Installation Guide

**Note:** Perform this installation at your own risk.

### Installation:

1. Switch off the lights and take the key out of the ignition.
2. Open the hood.
3. Remove the cover for the H8 corona ring bulb (Figure 1 – Arrow 1)
4. Fold latch (Figure 1 - Arrow 2) and remove the cover from the guide.
5. Turn the bulb approx. 90° counterclockwise and remove it from the headlight housing (Figure 2).
6. Separate the H8 halogen bulb where it joins the wire harness.
7. Connect the LUX H8 bulb by lining up the inner tabs as shown below.



8. Insert the new LUX H8 into the headlight. You will need to twist it clockwise until it locks into place with the orange grommet providing a firm seal. You will also need to tuck the wiring and black box into the headlight housing.

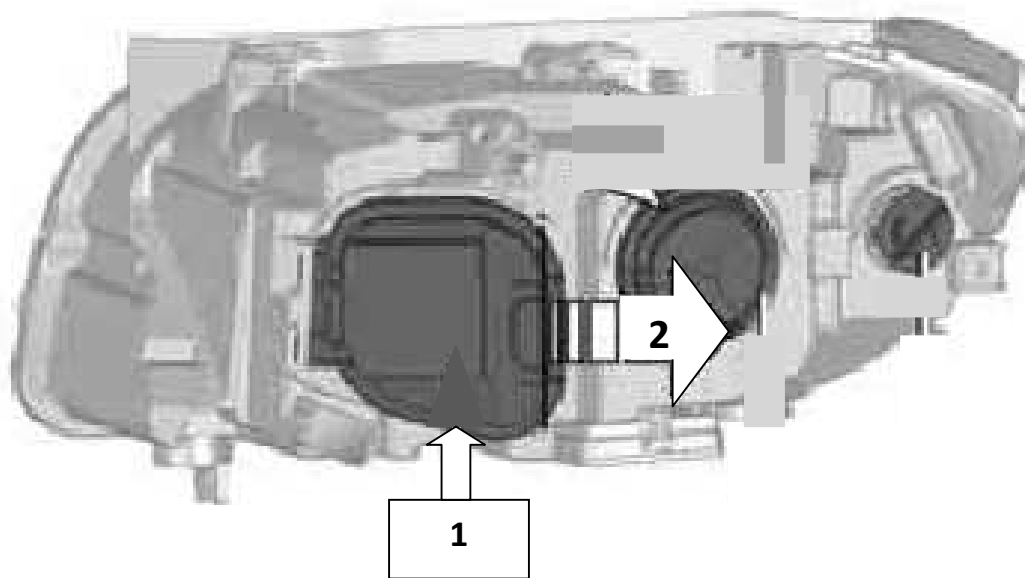


9. Re-attach the cover.

**Note: Take care when installing the covers. If covers are not installed properly leaks could occur that could cause damage to the headlight system.**

10. *Enjoy your new LUX Angel Eyes!*

**Figure 1**



**Figure 2**

